

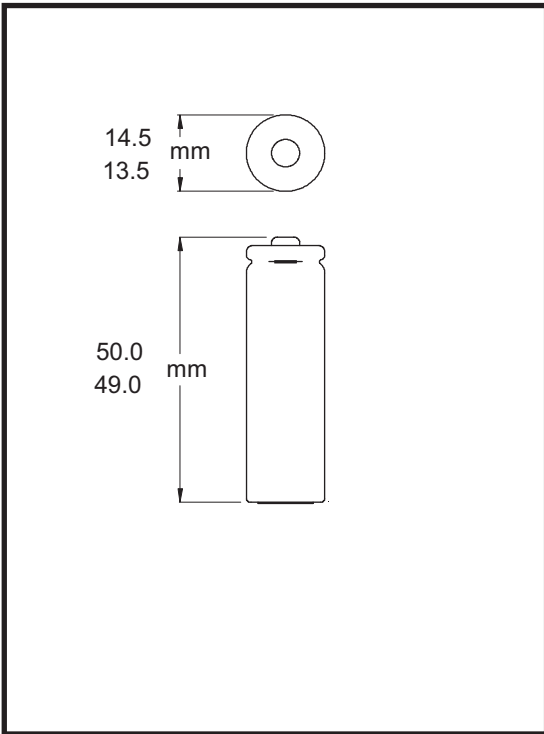
DURACELL[®]

HR6

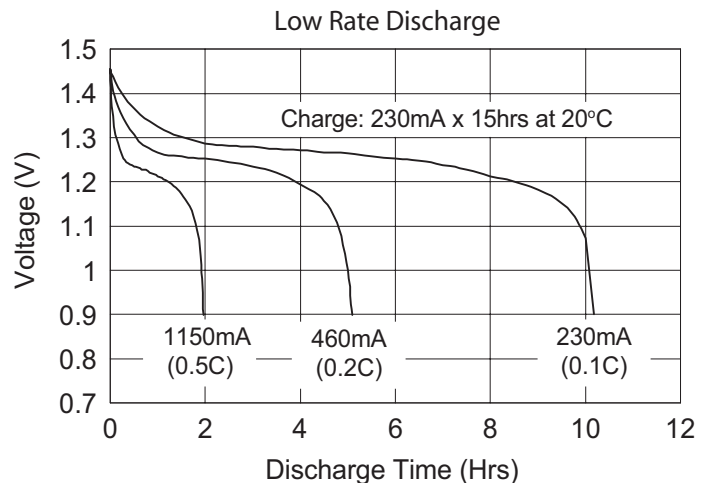
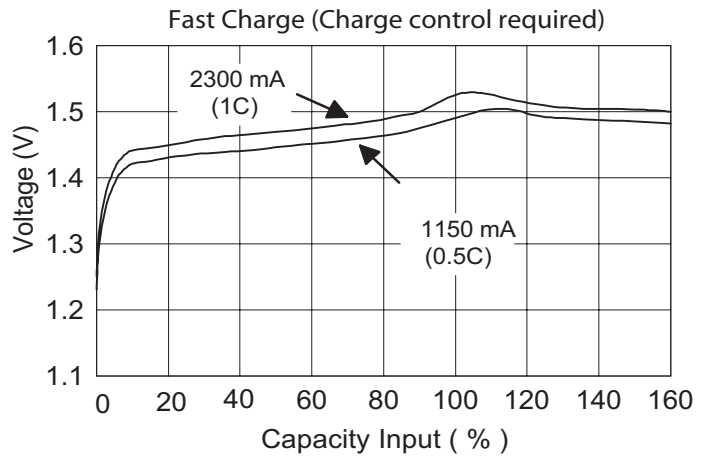
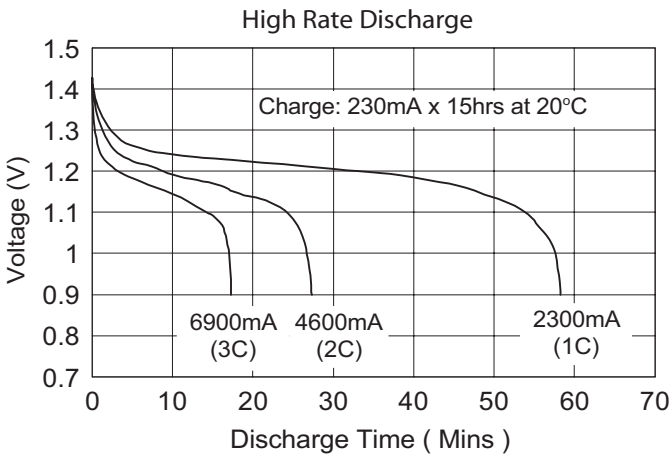
Rechargeable Nickel Metal Hydride Battery

Size: AA
2300 mAh

NiMH



Nominal Voltage:	1.2 V
Nominal Internal Impedance:	14 m-ohm @ 1kHz
Average Weight:	28.0 gm (0.98 oz.)
Volume:	8.3 cm ³ (0.50 in. ³)
Terminals:	Flat
Operating Temperature Range:	-20°C to 50°C (-4°F to 122°F)
ANSI:	1.2H2
IEC:	HR6



DURACELL[®]

BATTERIES

Berkshire Corporate Park
Bethel, CT 06801 U.S.A.
Telephone: Toll-free 1-800-544-5454
Internet: www.duracell.com

Delivered capacity is dependent on the applied load, operating temperature and cut-off voltage. Please refer to the charts and discharge data shown for examples of the energy / service life that the battery will provide for various load conditions.