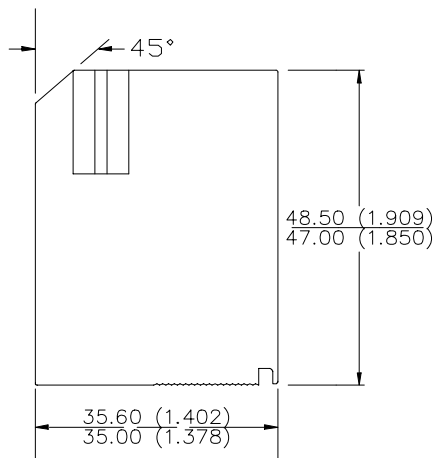
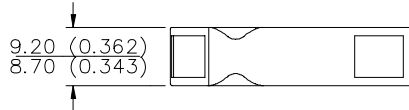


## ENERGIZER NO. 539



Industry Standard Dimensions in mm (inches)



## J - 6V

**Chemical System:** Alkaline  
 Zinc-Manganese Dioxide (Zn/MnO<sub>2</sub>)  
 (No Added Mercury or Cadmium)

**Designation:** ANSI-1412AP, IEC-4LR61

**Battery Voltage:** 6.0 Volts

**Operating Temp:** -18°C to 55°C (0°F to 130°F)

**Average Capacity:** 625 mAh (to 0.8 volts/cell)  
 (Rated capacity at 25 mA continuous drain)

**Average Weight:** 30 grams (1.1 oz.)

**Volume:** 15.4 cubic centimeters (0.9 cubic inch)

**Cell:** Four No. 3-0316 in series

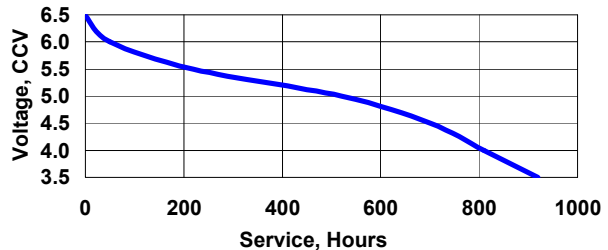
**Jacket:** Plastic

**Terminal:** Flat Contacts

### ELECTRONIC APPLICATION 330 ohms - 24 hours/day



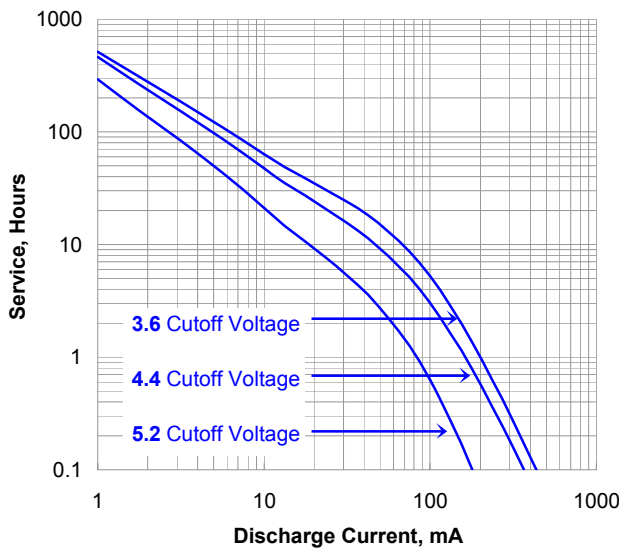
### ELECTRONIC APPLICATION 6,800 ohms - 24 hours/day



### CONSTANT CURRENT APPLICATION 9 mA Continuous @ 20°C



### CONSTANT CURRENT DISCHARGE Typical Service



### Important Notice

This data sheet contains information specific to batteries manufactured at the time of its publication.

**Contents herein do not constitute a warranty.**

Copyright © Eveready Battery Co. - All rights reserved